



**Properties**

- Ø30 mm housing
- 10 mm flush and 15 mm non-flush mountable versions
- DC, NAMUR interface
- Cable version

**Your Benefit**

- ATEX approved sensors applicable up to zone 1 and zone 20
- Usable up to SIL2 acc. to IEC 61508

**Technical Data**

For detailed data and product description refer to the data sheets at [www.pepperl-fuchs.com](http://www.pepperl-fuchs.com)

**General Data**

Switching element function	NAMUR, NC
Nominal voltage	8.2 V (R <sub>i</sub> approx. 1 kΩ)
Ambient temperature	-25 ... 100 °C (-13 ... 212 °F)
Housing material	PBT
Connection type	cable PVC , 2 m



Model Number	NJ10-30GK-N	NJ15-30GK-N	NCB10-30GK40-N0	NCN15-30GK40-N0
Rated operating distance	10 mm			
	15 mm			
Installation	flush			
	non-flush			
Current consumption				
Measuring plate detected	≤ 1 mA			
Measuring plate not detected	≥ 2.2 mA			
	≥ 3 mA			
Switching frequency	0 ... 100 Hz			
	0 ... 150 Hz			
	0 ... 200 Hz			
	0 ... 300 Hz			
Indication of the switching state	all direction LED, yellow			
Protection degree	IP66 / IP68			
	IP67			
	IP68			

**Use in the Hazardous Area**

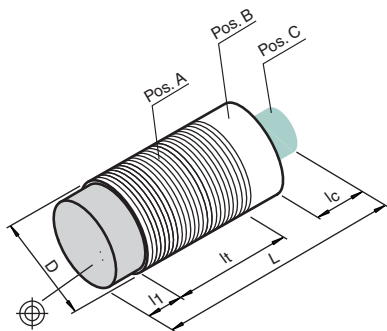
Use in the hazardous area	see instruction manuals				
Category	2G; 1D				
	2G; 3G; 1D; 3D				

**Approvals and Certificates**

Control drawing	116-0165F				
UL approval	cULus Listed, General Purpose				
CSA approval	cCSAus Listed, General Purpose				
CCC approval	Products with a maximum operating voltage of ≤36 V do not bear a CCC marking because they do not require approval.				

**Dimensions**

Length L [mm]			40
Diameter D [mm]			30
Thread length l <sub>t</sub> [mm]	34.5	37	22
Cap length l <sub>1</sub> [mm]	1	0	18
Connector area l <sub>c</sub> [mm]			0
LED position	-	Pos. C	-



**Accessories**

This and more accessories can be found in chapter 10

See pages from 972 ... for cordsets

See pages 1068 ... for mounting aids

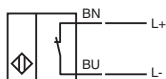
**BF 30**

Mounting flange, 30 mm

**Electrical Connection**



NCB10-30GK40-N0  
 NJ10-30GK-N  
 NCN15-30GK40-N0  
 NJ15-30GK-N



Date of issue 04/08/2015

Refer to "General Notes Relating to Pepperl+Fuchs Product Information".

Pepperl+Fuchs Group  
[www.pepperl-fuchs.com](http://www.pepperl-fuchs.com)

USA: +1 330 486 0001  
 fa-info@us.pepperl-fuchs.com

Germany: +49 621 776 4411  
 fa-info@de.pepperl-fuchs.com

Singapore: +65 6779 9091  
 fa-info@sg.pepperl-fuchs.com

Courtesy of Steven Engineering, Inc - (800) 258-9200 - sales@steveng.com - www.stevenengineering.com